

State of Wyoming Corner Record



(In compliance with the CORNER PERPETUATION AND FILING ACT, Wyoming Statutes, 2013 Section 33-29-901 through 33-29-910, and the Rules and Regulations of the Board of Professional Engineers and Professional Land Surveyors)

Reverse side of this form may be used if more space is needed.

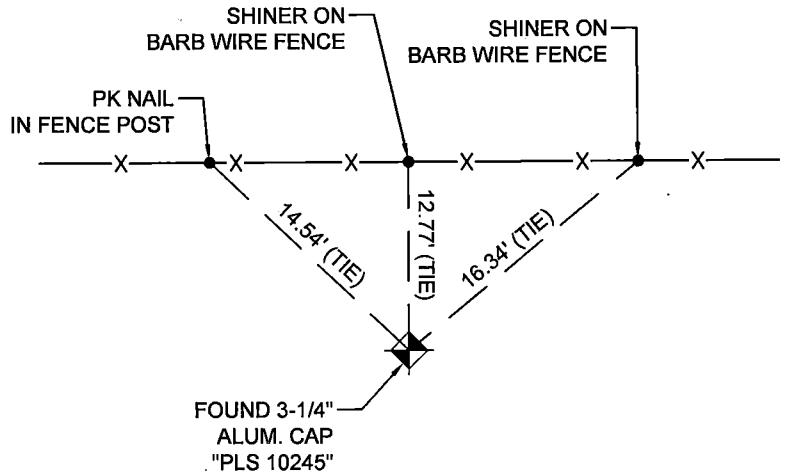
Record of original survey and citation of source of historical information (if corner is lost or obliterated). Description of corner monumentation evidence found and/or monument and accessories established to perpetuate the location of this corner. Sketch of relative location of monument, accessories, and reference points with course and distance to adjacent corner(s) (if determined in this survey). Method and rationale for reestablishment of lost or obliterated corner.

FOUND: #6 REBAR WITH 3-1/4" ALUMINUM CAP, "PLS.10245". MEASURED TIES AS SHOWN.

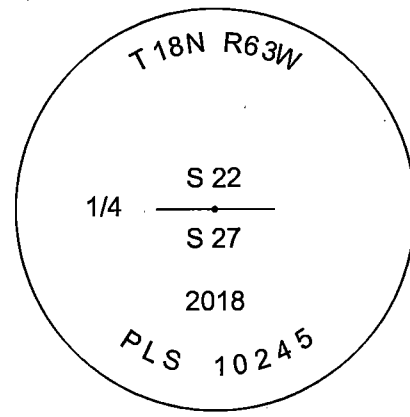
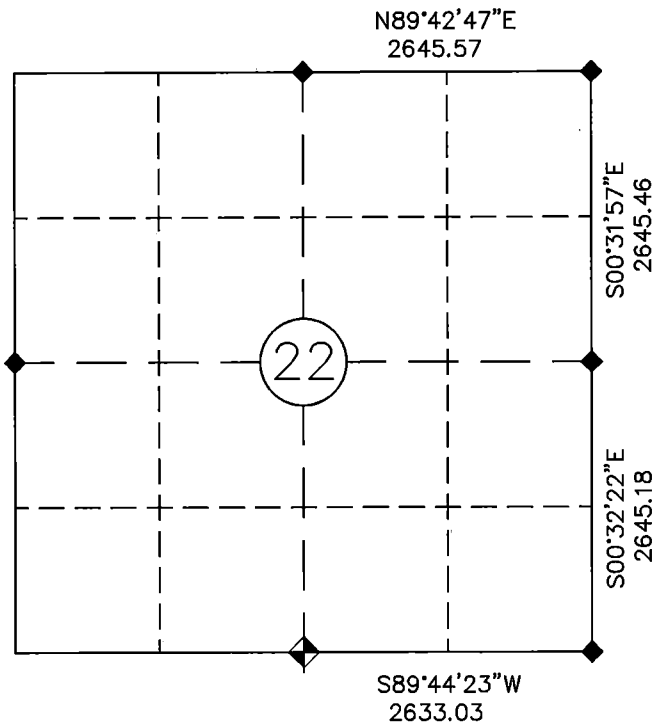
Legend

-  MONUMENT FOR THIS CORNER RECORD
-  FOUND ALUM CAP

BEARINGS FROM GPS GRID UTM83 ZONE 13
DISTANCES ARE GPS GRID



Monument location



Monument Inscription

Date of Field Work: SEPT. 2019

Office Reference: JOB NO. 61962

Cross Index Plat

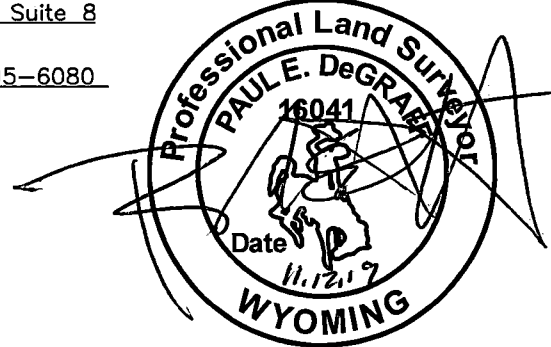
	1	2	3	4	5	6	7	8	9	10	11	12	13	14	15	16	17	18	19	20	21	22	23	24	25
A	+	+	+	+	+	+	+	+	+	+	+	+	+	+	+	+	+	+	+	+	+	+	+	+	+
B	+	6	+	+	5	+	+	4	+	+	3	+	+	2	+	+	1	+	+	+	+	+	+	+	+
C	+	+	+	+	+	+	+	+	+	+	+	+	+	+	+	+	+	+	+	+	+	+	+	+	+
D	+	+	+	+	+	+	+	+	+	+	+	+	+	+	+	+	+	+	+	+	+	+	+	+	+
E	+	+	+	+	+	+	+	+	+	+	+	+	+	+	+	+	+	+	+	+	+	+	+	+	+
F	+	+	+	+	+	+	+	+	+	+	+	+	+	+	+	+	+	+	+	+	+	+	+	+	+
G	+	7	+	+	8	+	+	9	+	+	10	+	+	11	+	+	12	+	+	+	+	+	+	+	+
H	+	+	+	+	+	+	+	+	+	+	+	+	+	+	+	+	+	+	+	+	+	+	+	+	+
J	+	+	+	+	+	+	+	+	+	+	+	+	+	+	+	+	+	+	+	+	+	+	+	+	+
K	+	+	+	+	+	+	+	+	+	+	+	+	+	+	+	+	+	+	+	+	+	+	+	+	+
L	+	18	+	+	17	+	+	16	+	+	15	+	+	14	+	+	13	+	+	+	+	+	+	+	+
M	+	+	+	+	+	+	+	+	+	+	+	+	+	+	+	+	+	+	+	+	+	+	+	+	+
N	+	+	+	+	+	+	+	+	+	+	+	+	+	+	+	+	+	+	+	+	+	+	+	+	+
O	+	+	+	+	+	+	+	+	+	+	+	+	+	+	+	+	+	+	+	+	+	+	+	+	+
P	+	19	+	+	20	+	+	21	+	+	22	+	+	23	+	+	24	+	+	+	+	+	+	+	+
Q	+	+	+	+	+	+	+	+	+	+	+	+	+	+	+	+	+	+	+	+	+	+	+	+	+
R	+	+	+	+	+	+	+	+	+	+	+	+	+	+	+	+	+	+	+	+	+	+	+	+	+
S	+	+	+	+	+	+	+	+	+	+	+	+	+	+	+	+	+	+	+	+	+	+	+	+	+
T	+	30	+	+	29	+	+	28	+	+	27	+	+	26	+	+	25	+	+	+	+	+	+	+	+
U	+	+	+	+	+	+	+	+	+	+	+	+	+	+	+	+	+	+	+	+	+	+	+	+	+
V	+	+	+	+	+	+	+	+	+	+	+	+	+	+	+	+	+	+	+	+	+	+	+	+	+
W	+	+	+	+	+	+	+	+	+	+	+	+	+	+	+	+	+	+	+	+	+	+	+	+	+
X	+	31	+	+	32	+	+	33	+	+	34	+	+	35	+	+	36	+	+	+	+	+	+	+	+
Y	+	+	+	+	+	+	+	+	+	+	+	+	+	+	+	+	+	+	+	+	+	+	+	+	+
Z	+	+	+	+	+	+	+	+	+	+	+	+	+	+	+	+	+	+	+	+	+	+	+	+	+

Firm/Agency, Address

Paul E. DeGraff
Encompass Energy Services
1954 E. Richards St. Suite 8
Douglas, WY 82633
Telephone: (303) 995-6080

This corner record was prepared by me or under my direction and supervision.

SEAL & SIGNATURE



RECP #: 772696
RECORDED 2/28/2020 AT 3:30 PM BK# 2661 PG# 1380
Debra K. Lee, CLERK OF LARAMIE COUNTY, WY PAGE 1 OF 1

Corner Name S 1/4 Corner Section 22, T 18 N, R 63 W, 6th P.M.

Cross-Index No.: R-15